

General Description

Series R1E02 direct operated, pressure relief valves are seated type valves typically used for remote pressure controls. In applications where the reliability and simplicity of a hydraulic remote control are preferred to an electrohydraulic system, Series R1E02 is an ideal solution.

Typically pilot operated pressure valves or compensators of variable pumps are controlled.

Features

- Seated type valve.
- 3 body variants:
 - foot mounting
 - front panel mounting
 - subplate mounting
- 3 pressure ranges.
- 3 adjustment modes:
 - hand knobs
 - acorn nut with lead seal
 - adjusting with lock



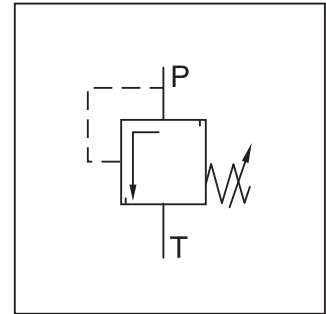
Foot Mounting



Front Panel Mounting

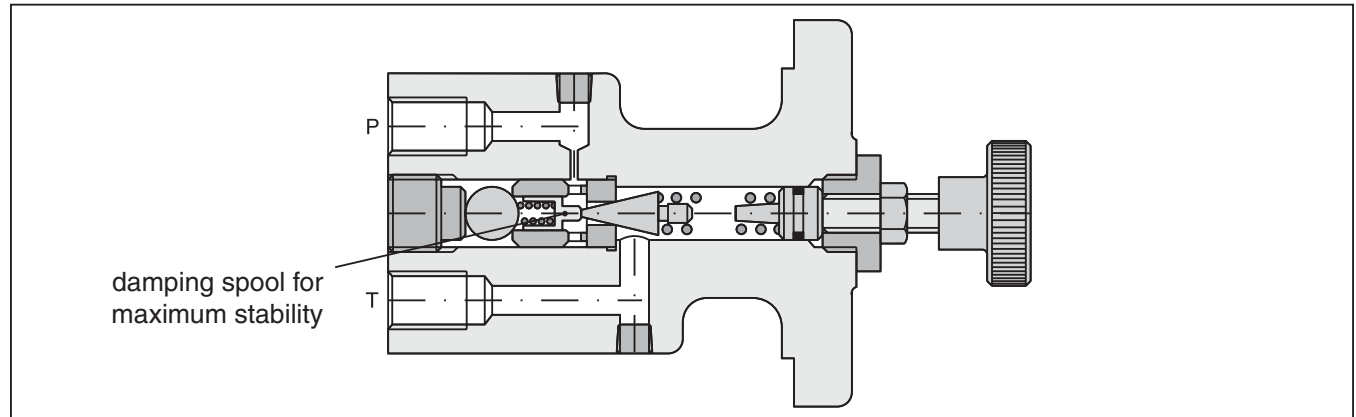


Subplate Mounting

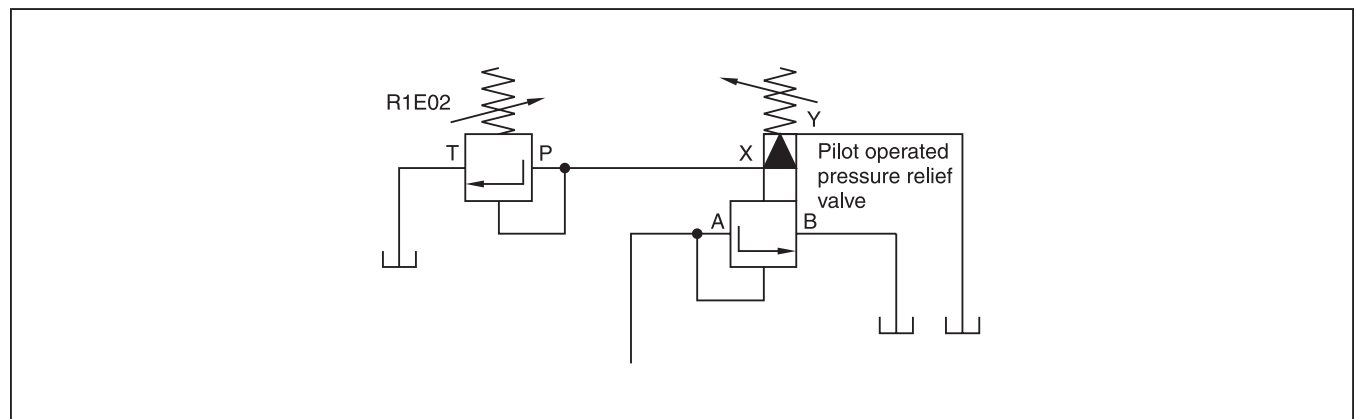


D

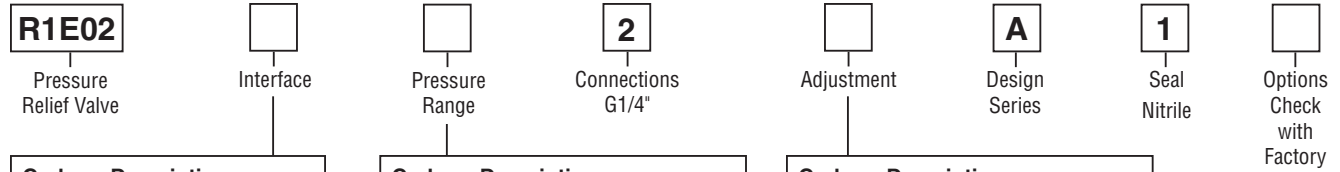
Front Panel Mounting



Typical Configuration as Remote Pilot Valve



Ordering Information



Code	Description
1	Foot Mounting
2	Front Panel Mounting
3	Subplate Mounting

Code	Description
1	up to 105 Bar (1523 PSI)
3	up to 210 Bar (3045 PSI)
5	up to 350 Bar (5075 PSI)

Code	Description
1	Hand Knob Ø32mm
3	Acorn Nut with Lead Seal
4 *	Adjusting Device with Lock (Key Order No. 700-70619)

Weight:

R1E021	2.1 kg (4.6 lbs.)
R1E022	2.1 kg (4.6 lbs.)
R1E023	1.0 kg (2.2 lbs.)

Seal Kit:

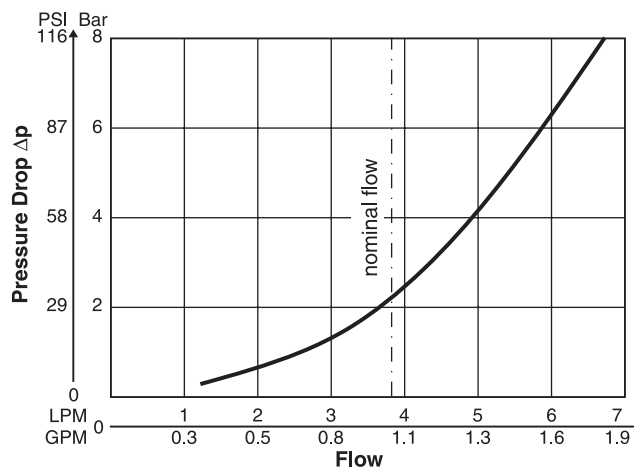
R1E021	S26-58466-0
R1E022	S26-58466-0
R1E023	S16-91963-0

* on bodies for subplate mounting use plate S16-64188.

Specifications

General	
Size	1/4"
Interface	Foot mounting, Front panel mounting, Subplate mounting
Mounting Position	Unrestricted
Ambient Temperature Range	-20°C to +70°C (-4°F to +158°F)
Hydraulic	
Maximum Operating Pressure	Port P 350 Bar (5075 PSI); Port T depressurized
Pressure Range	105 Bar (1523 PSI), 210 Bar (3045 PSI), 350 Bar (5075 PSI)
Fluid	Hydraulic oil as per DIN 51524 ... 51525
Fluid Temperature	-20°C to +70°C (-4°F to +158°F)
Nominal Flow	3.8 LPM (1.0 GPM)
Minimum Pressure Setting	7 Bar (102 PSI)
Viscosity Permitted	10 to 650 cSt / mm ² /s (46 to 3013 SSU)
Viscosity Recommended	30 cSt / mm ² /s (139 SSU)
Filtration	ISO Class 4406 (1999) 18/16/13

Performance Curve

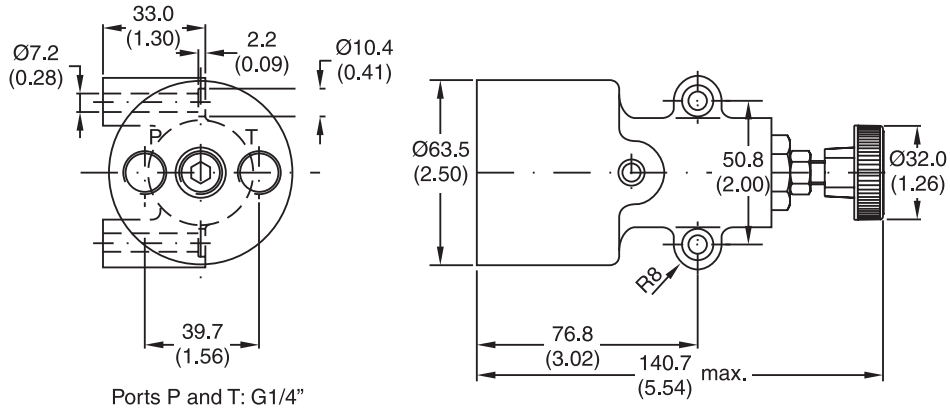


Fluid viscosity 35 cSt at 50°C (122°F) ± 5°C (41°F)



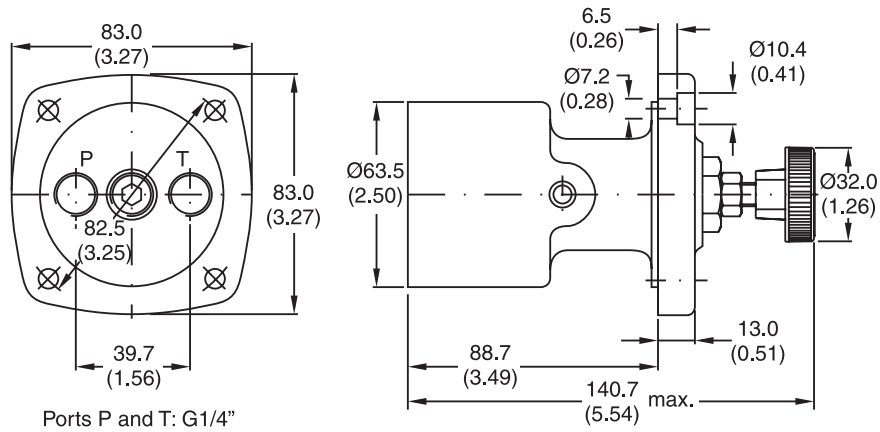
Inch equivalents for millimeter dimensions are shown in (**)

Foot Mounting

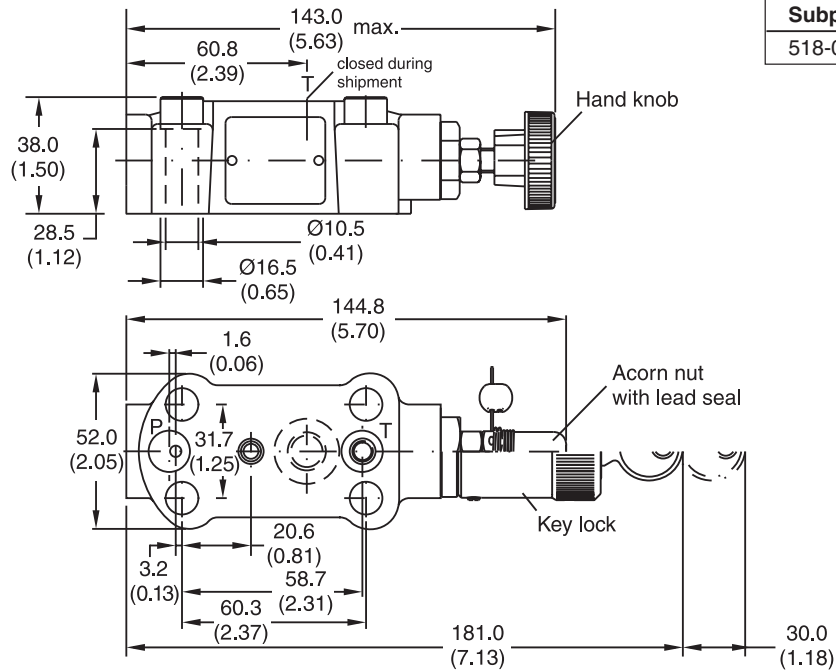


D

Front Panel Mounting



Subplate Mounting



Subplate	Size
518-00139-0	3/8" NPT